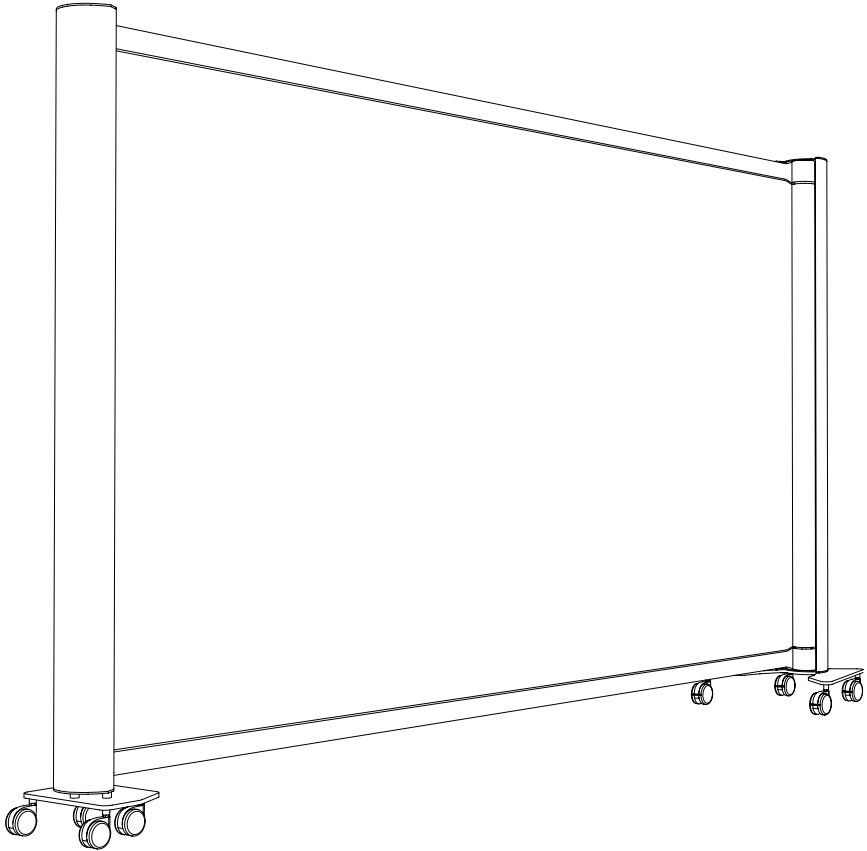


KWICKSCREEN

USER MANUAL



The most flexible space management solutions
Portable, retractable, printable privacy screens; creating private and dignified spaces adaptable to multiple uses.

Please read all instructions in this user guide prior to installation and operation of your KwickScreen.

For personal and operational safety use only parts approved by KwickScreen.

Be gentle when pulling the KwickScreen out for use.

Before installation ensure all parts are present, complete and without defects.

KwickScreens must be allowed to find their “natural position”. If you find the screen difficult to push in or pull out, or you hear a crumpling sound, then reverse your action (push if pulling and pull if pushing).

If you believe parts to be missing please contact us.

Packaging material should be disposed of in accordance with local rules and regulations.

CONTENTS

- 3/ welcome
- 4/ view & dimensions
- 5/ portable unit assembly guide
- 11/ fixed unit assembly guide
- 12/ installing wall brackets
- 16/ replacing or changing inner panel
- 18/ cleaning

If you have any questions please contact us at:

www.kwickscreen.com or info@kwickscreen.com or +44 (0) 20 8452 5975

Or visit us at our showroom and offices at Unit 3, Phoenix Trading Estate, Bilton Road, London. UB6 7DZ

Dear valued customer,
Thank you for choosing to purchase from KwickScreen.

I hope that your new KwickScreen will help you make better use of your spaces and if you have chosen a printed screen, that you enjoy the benefits which the images can bring to your environment.

I am passionate about using technology to improve environments. As a designer and engineer I invented the KwickScreen to help solve space issues. For a room to be used efficiently and appropriately it needs to be flexible both spatially and visually. Every multi-use room, from a hospital ward, to a gym, a private meeting room or an airport has problems and limitations that can be solved by space saving portable screening systems.

Over the last ten years the product has developed significantly, winning a number of design and innovation awards. We now have an international supply chain with distribution in Europe, North Asia, America and the Middle East.

Our customers and those who use and interact with our screens remain our top priority and we are always striving to both improve the product and our service to you. This is our passion and that is why we assemble and quality check every product ourselves locally in England.

We hope that you have received the product in a perfect condition, but if for any reason you are unhappy or have a query please let us know and we will do our best to help. Each unit and screen has a unique code making it possible for us to trace all relevant information about the product. (The unit number Uxxx is written on the back of the unit on the silver sticker and the screen number Sxxx is printed on the inside of the front of the screen.)

KwickScreens are used in all manner of places, so if you can we would love to receive pictures and feedback from you about using your KwickScreen whether it's a query, comment or suggestion. Please find us on social media @KwickScreen or alternatively get in touch via our website www.kwickscreen.com.

I wish you many years of use from your KwickScreen and look forward to hearing from you.

Michael Korn
Inventor and Co-Founder of KwickScreen

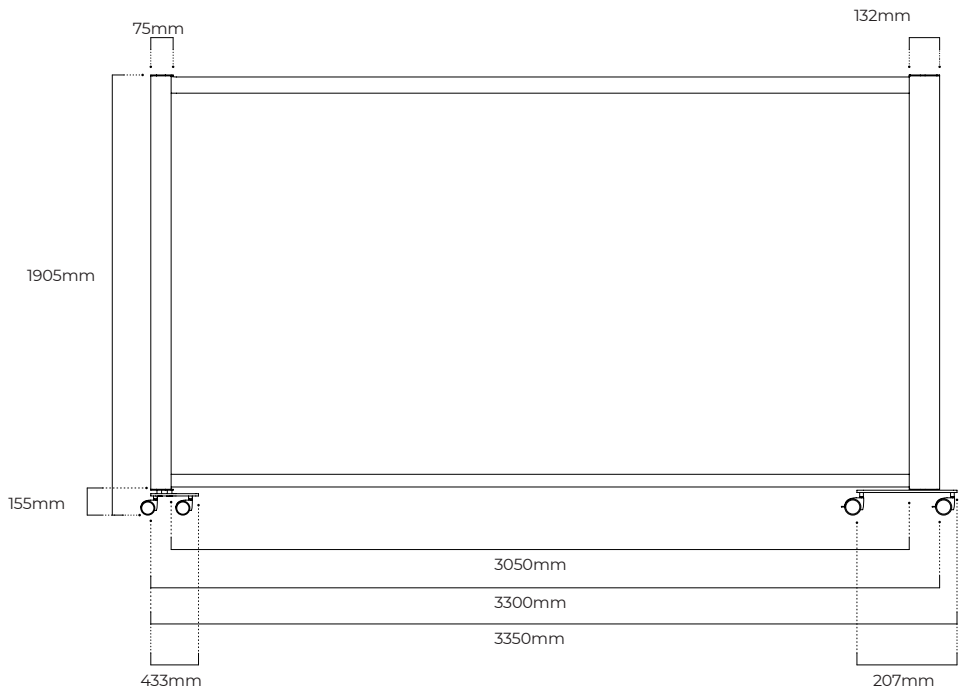
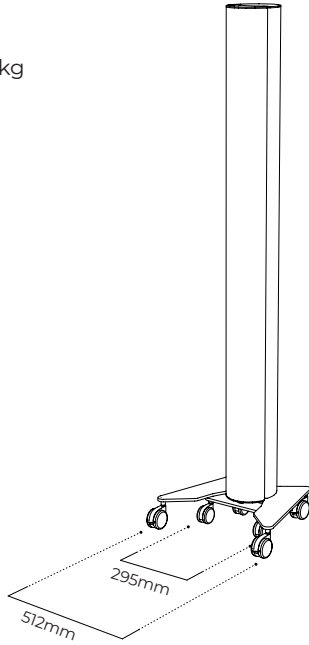


VIEW & DIMENSIONS

Fully Assembled Weight = 29.5 kg

Handle Base Weight = 4.36 kg

Body Base Weight = 8.22 kg

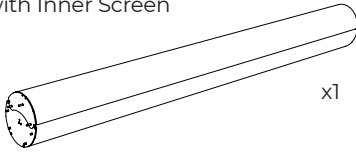


ASSEMBLY GUIDE

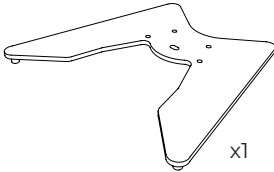
KWICKSCREEN PORTABLE UNIT

Included:

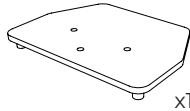
Main Body with Inner Screen



Body Base



Handle Base



Braked Castor for Main Body



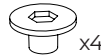
Unbraked Castor for Handle*



Castor Pin



Short Bolt



Handle Spacer



Long Bolt

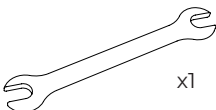


Split Spring Washer

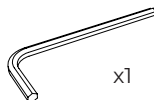


You will need to supply:

13mm Spanner



5mm Allen Key



Please read the following instructions.

To begin lay down main body and front handle sideways to start working.

This is a two person job.

Please ensure all screws are tight after assembly.

If you have any questions please contact us at:

www.kwickscreen.com

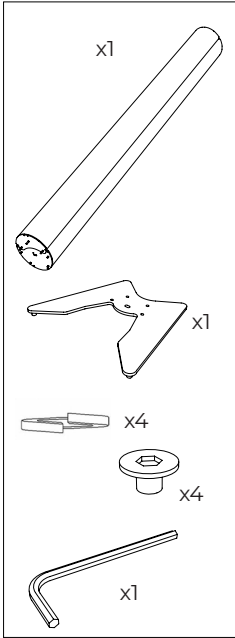
call us on:

020 845 25975

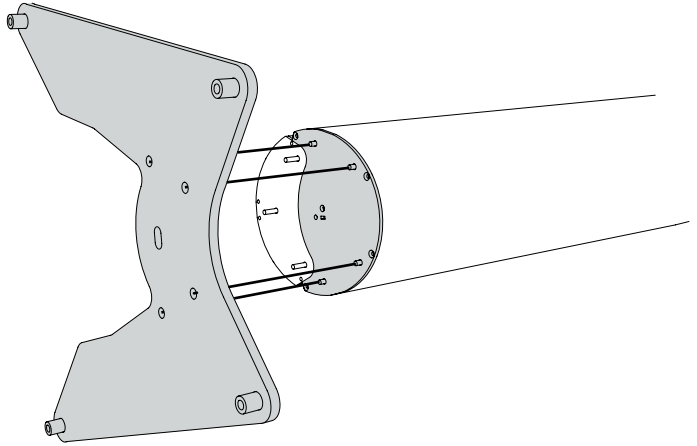
or email us:

info@kwickscreen.com

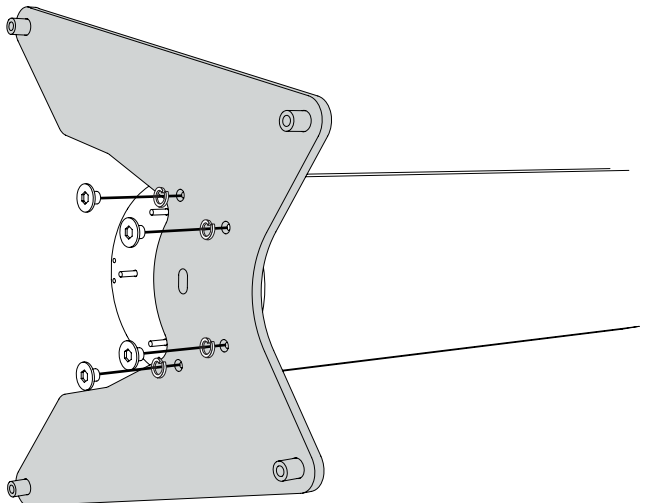
*unless brakes requested on front handle



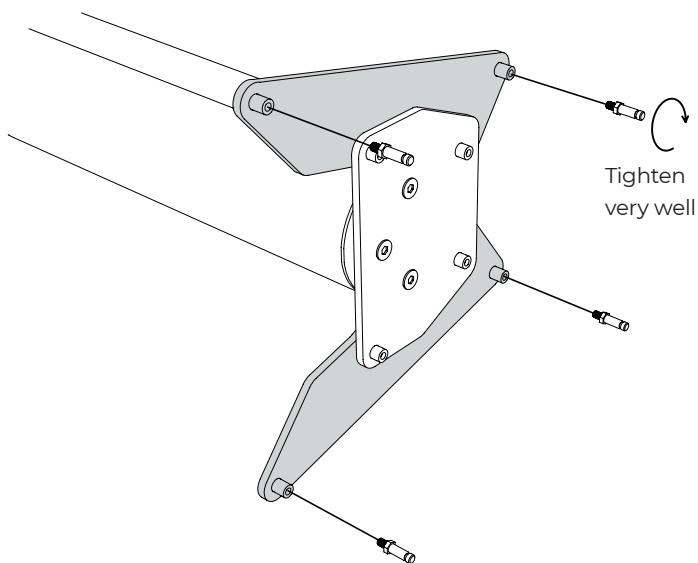
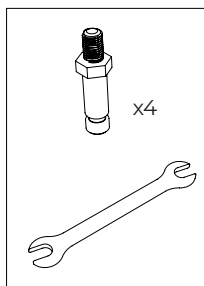
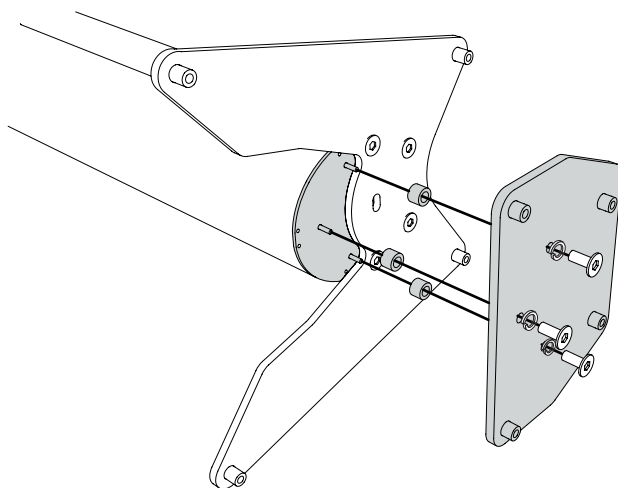
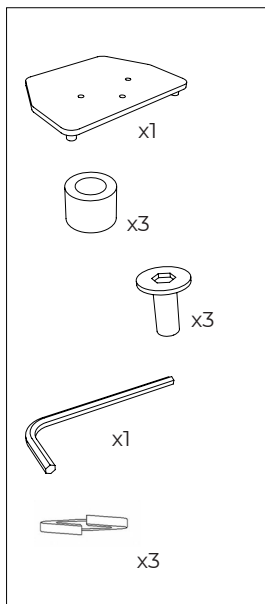
Make sure the flat side is against the body



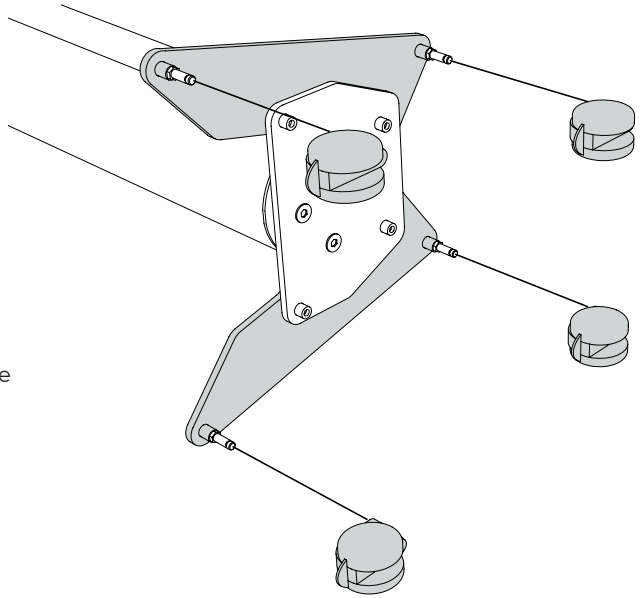
Tighten very well



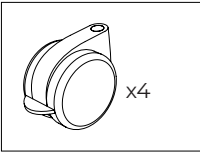
Tighten
the bolts



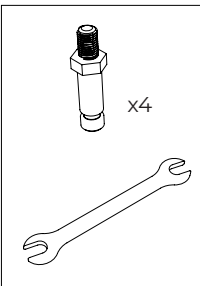
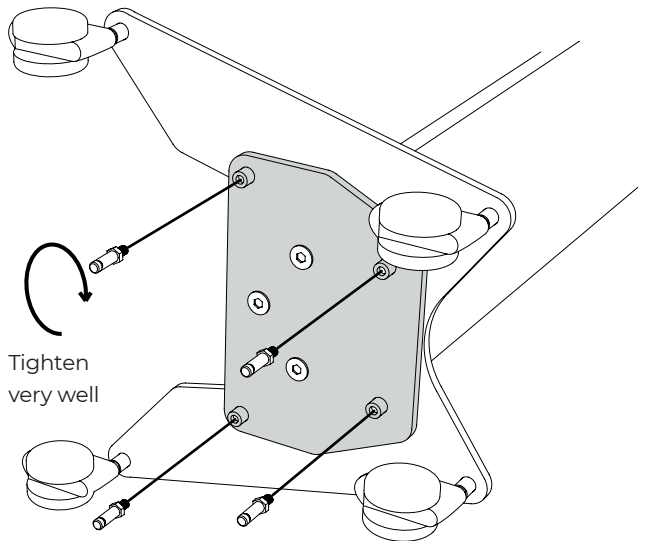
Step 5

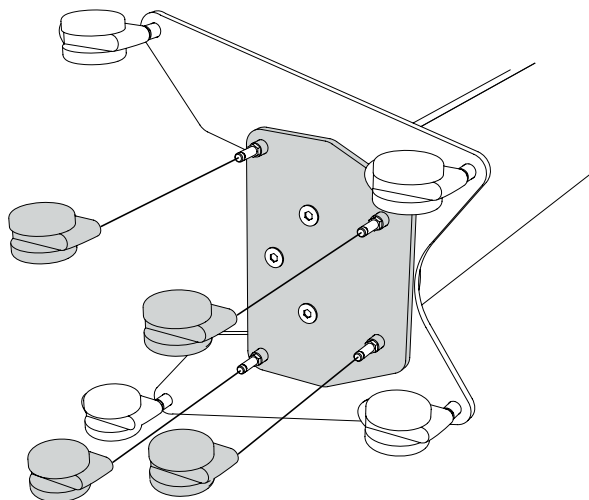


On the main base, push on the wheels with brakes

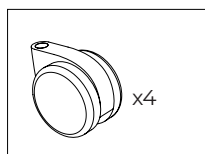


Step 6

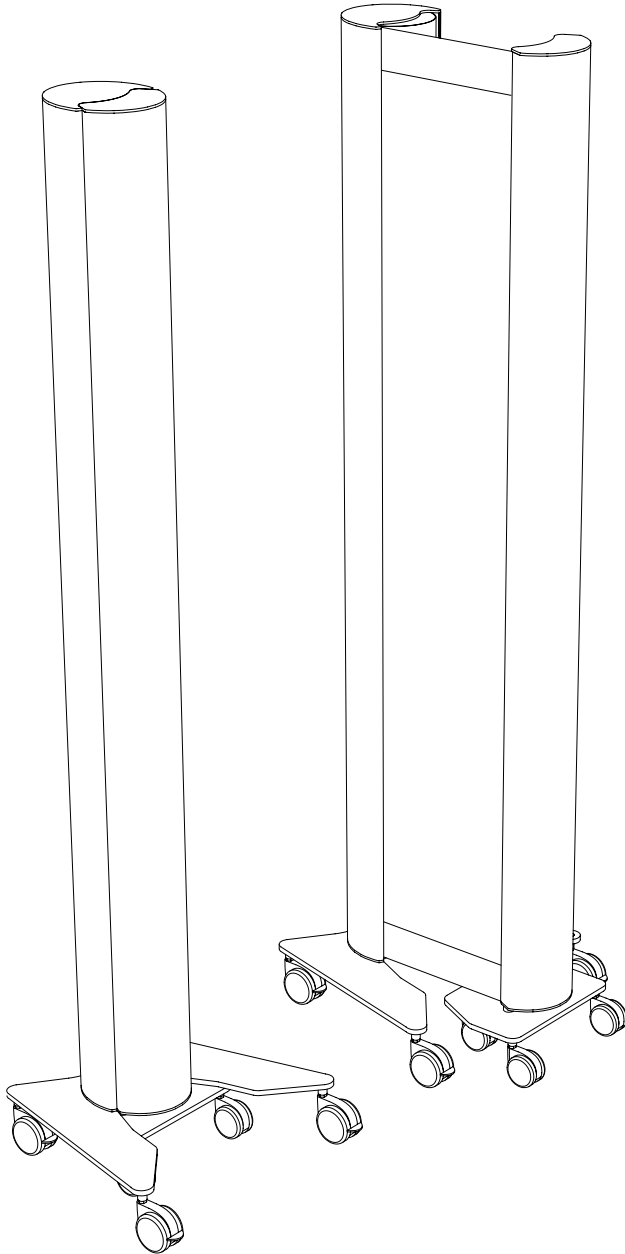




On the handle base, push on the wheels without brakes



Option: wheels with brakes will be supplied if purchased separately for the front handle

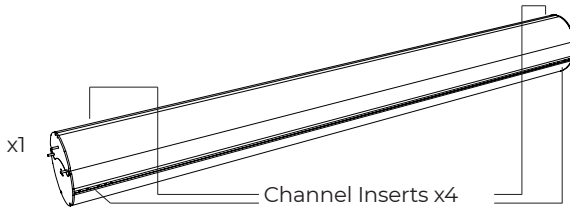


ASSEMBLY GUIDE

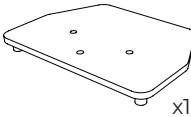
KWICKSCREEN FIXED UNIT

Included:

Main Body with Inner Screen



Front Handle Base



Castor Pin



Handle Castor



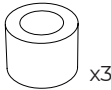
Long Bolt



Split Spring Washer

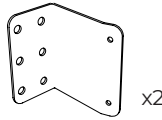


Handle Spacer

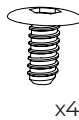


Fixings:

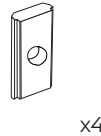
Wall Bracket



Screw



Channel Nut



M5 Shake Proof



Please read the following instructions.

To begin lay down main body and front handle sideways to start working.

This is a two person job.

Please ensure all screws are tight after assembly.

If you have any questions please contact us at:

www.kwickscreen.com

call us on:

020 845 25975

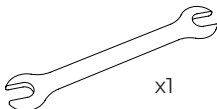
or email us:

info@kwickscreen.com

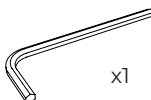
*you may need to replace fixings depending on the wall you wish to attach to.

You will need to supply:

13mm Spanner



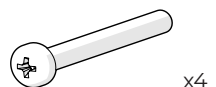
Large Allen Key



Small Allen Key

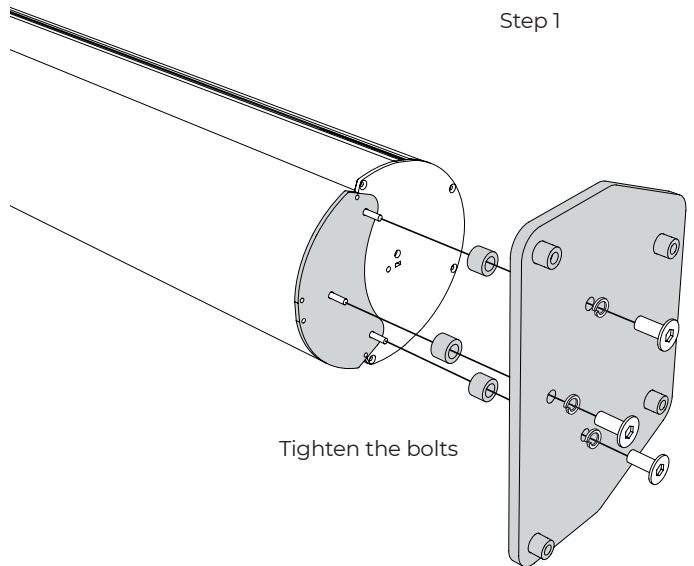
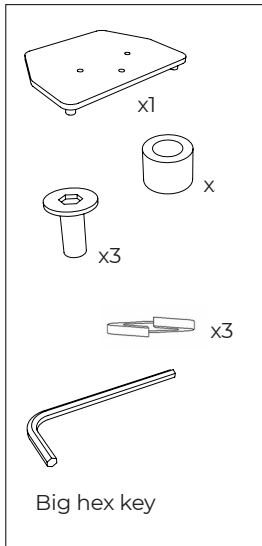
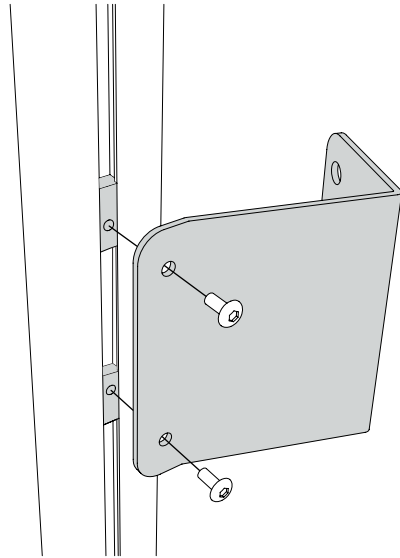
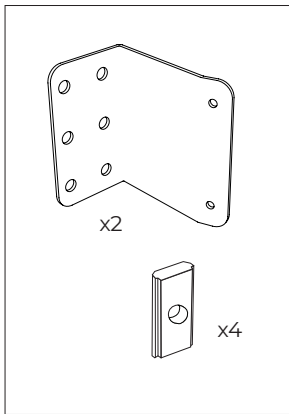


Wall Fixings*

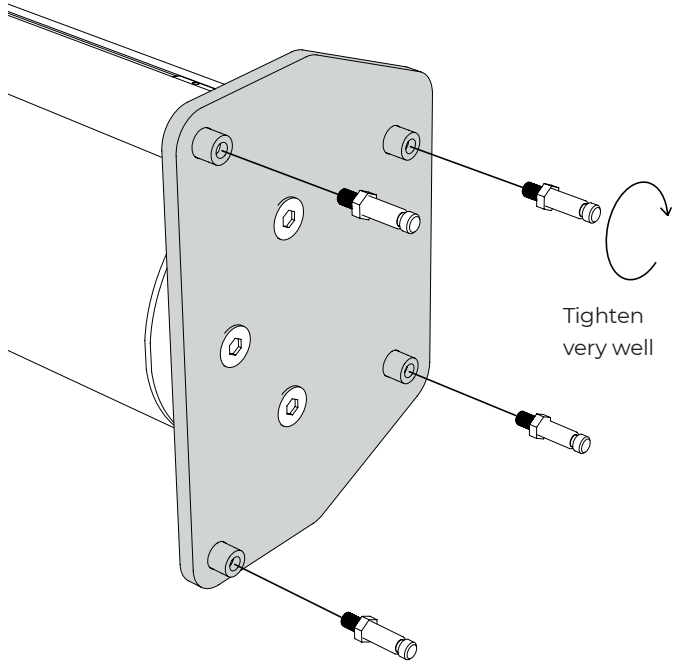
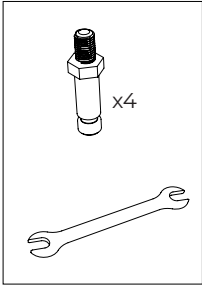


WALL BRACKETS

Bracket pairs are a set of top and bottom brackets which allow a KwickScreen unit to be attached to a wall. Brackets may only be fixed to the side channels of a KwickScreen. THE CHANNEL NUTS NEED TO BE INSERTED INTO THE CHANNEL FIRST TO ALLOW THE BRACKET TO ATTACH TO THE UNIT.

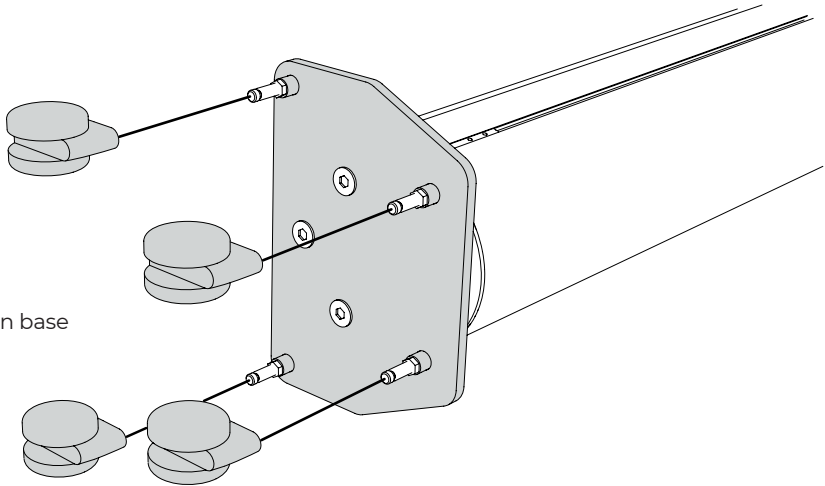
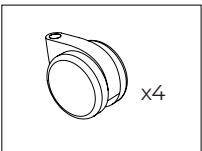


Step 2



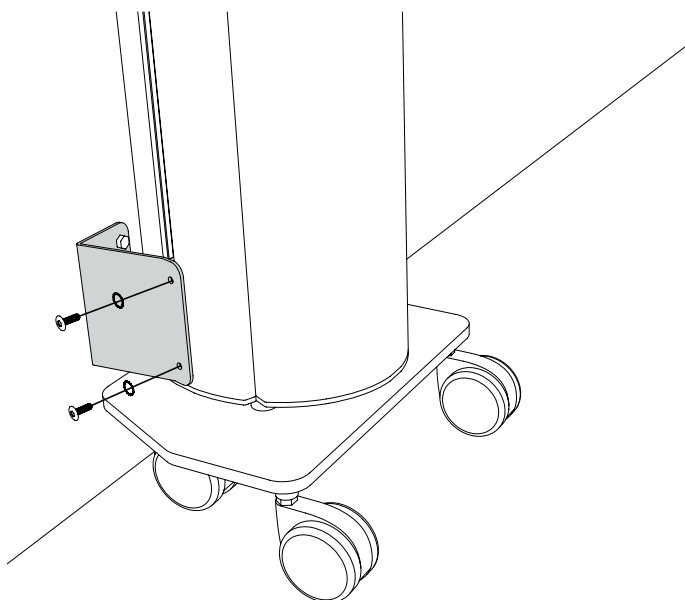
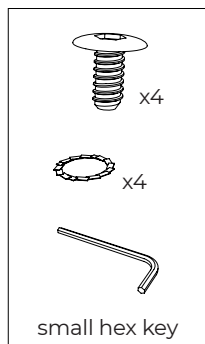
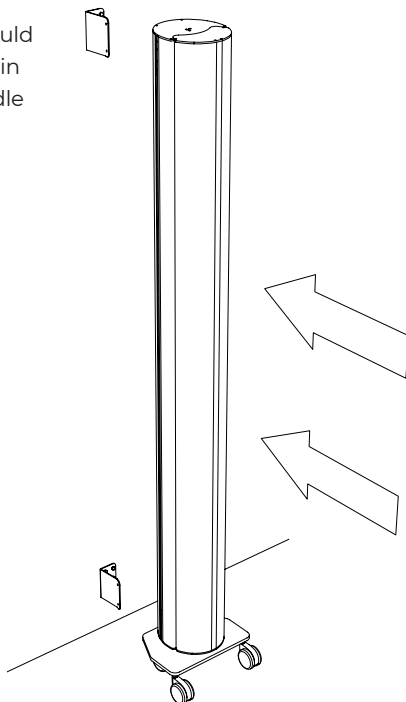
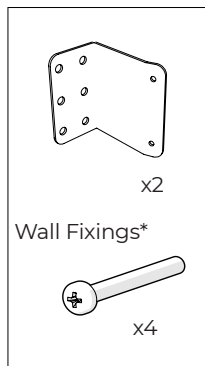
Step 3

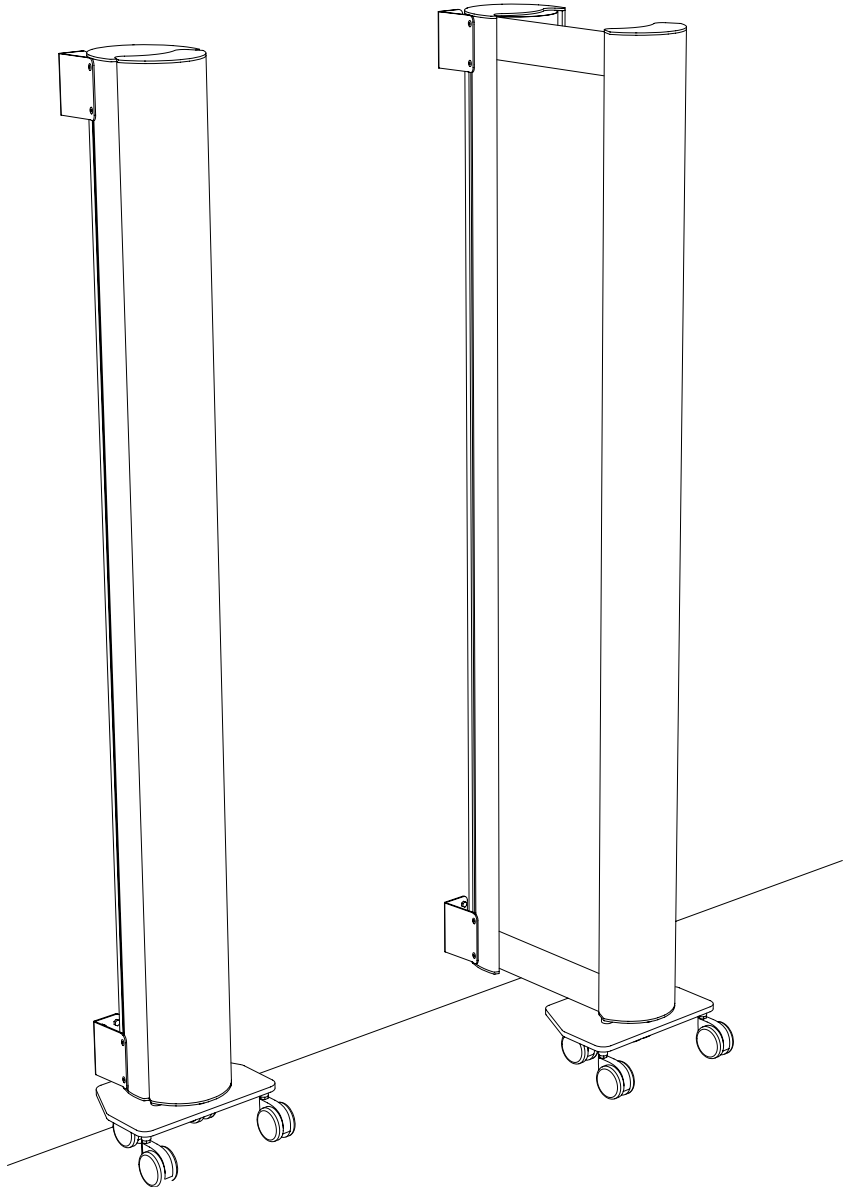
Push on the wheels on base



The height of the brackets should be such that the top of the main body and top of the front handle are level.

*Wall fixings not included

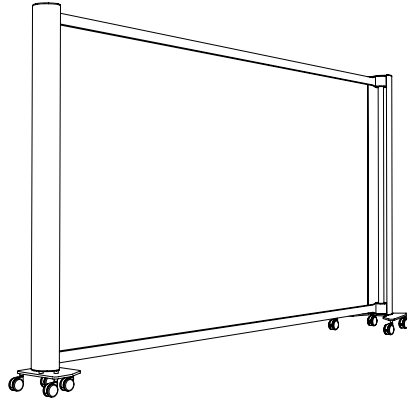




REPLACING OR CHANGING THE INNER PANEL (2 person job)

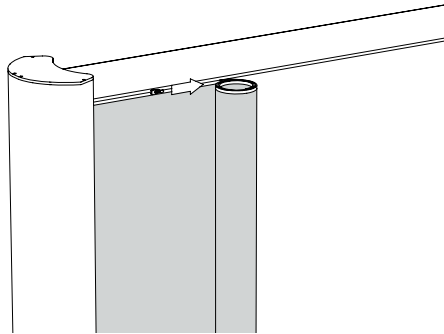
1

Extend unit fully (unit shown with inner screen panel removed) by applying all 4 brakes on the main body and pulling out the handle



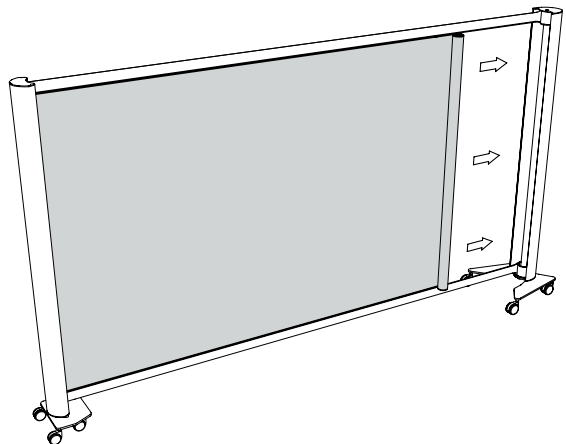
2

To insert the inner panel keep the panel rolled up and attach the zip in the top left corner. To get started one person should roll whilst the other starts the zip



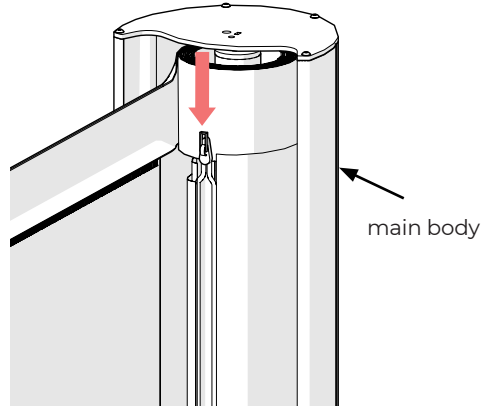
3

Support the rolled panel in one hand, slowly zip along the top of the panel as you unroll the panel



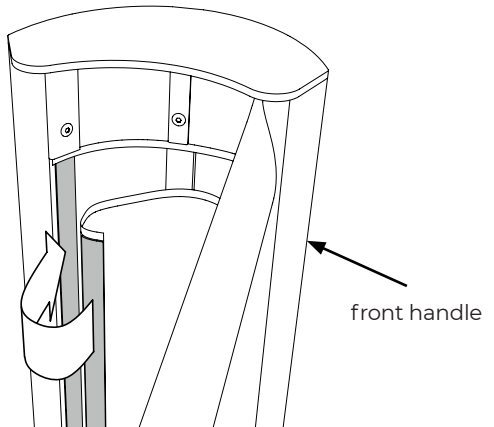
4

Leave 50 cm unzipped and thread the panel end around the plastic core. Carefully align and secure the corresponding magnetic strip on the panel and the rotor and then zip the top zip to the end.



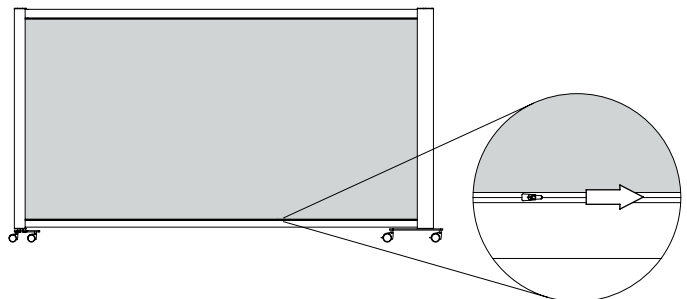
5

Align the magnetic strip on the front handle



6

Close the bottom zip



CLEANING

KwickScreens have been designed in line with infection control performance specifications. It's smooth surfaces are easy to clean and designed to withstand regular cleaning. The body is made of anodized aluminium, other metal parts are powder coated steel. The screen panel is made with polyester film.

NORMAL CLEANING

Surfaces can be cleaned using most healthcare cleaning solutions including quaternary, bleach solutions or sporicidal and virucidal disinfectants.

Hypochlorite may also be used on the screen material. Hypochlorite can be applied at 1000-10000 ppm or a 60% alcohol solution.

STUBBORN STAINS

If normal cleaning does not remove all stains the following cleaning agents may be used at room temperature:

- Methyl butyl alcohol
- Naptha VM&P
- Ethyl alcohol
- Isopropyl alcohol

Care should be taken with printed panels when using alcohol based agents.

DEEP CLEANING

Deep cleaning is recommended every 3-4 months. To deep clean, fully extend the screen and clean inside the body.



WHEN CLEANING THE
KWICKSCREEN DO NOT USE:

- Wax polishes or solvents
- Products with an abrasive surface as steel wool
- Detergents which can form lime or synthetic detergents
- Alkalis (over pH10)
- Solvents
- Gasoline
- Greases or oils
- Abrasive cloths or kitchen scouring compounds to clean the printed screen panel
- Any sharp instruments or razor blades to scrape the surface

Do not clean in direct sunlight or in elevated temperatures.

AFTER CLEANING, LEAVE THE SCREEN EXTENDED TO DRY
DO NOT RETRACT WHILST THE SCREEN IS WET

OPERATION

GENERAL INSTRUCTIONS

KwickScreens are designed for use on smooth, horizontal surfaces. Extra care should be taken when using on other surfaces.

When moving the KwickScreen check all four brakes have been released. The unit should then be moved with two hands at low down waist height.

Push and pull the front handle gently during operation. If the handle needs to be forced please contact us.

If there is resistance or you hear a crumpling sound then stop, pull out and push in again gently.

Make sure the front handle is vertical and that its four wheels are all in contact with the floor.

If leaving the KwickScreen on an incline please ensure all brakes are engaged.

Do not run when using the KwickScreen.

DAMAGE PROCEDURE

If you do experience any problems or damage with your screen, please email us (with images if applicable) to **info@kwickscreen.com**.

KWICKSCREEN

If you have any questions please contact us at:
www.kwickscreen.com / info@kwickscreen.com

You can call us on: 020 845 25975

Or visit us at:
Unit 3, Phoenix Trading Estate, Bilton Road,
London. UB6 7DZ