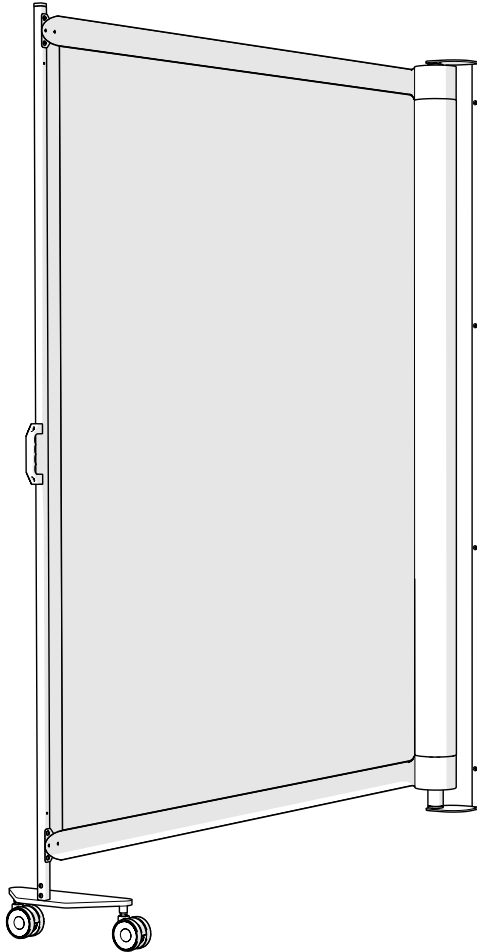


# KWICKSCREEN

## AIR USER MANUAL



The most flexible space management solutions  
Portable, retractable, printable privacy screens; creating  
private and dignified spaces adaptable to multiple uses.

Please read all instructions in this user guide prior to installation and operation of your KwickScreen.

For personal and operational safety use only parts approved by KwickScreen.

Be gentle when pulling the KwickScreen out for use.

Before installation ensure all parts are present, complete and without defects.

KwickScreens must be allowed to find their “natural position”. If you find the screen difficult to push in or pull out, or you hear a crumpling sound, then reverse your action (push if pulling and pull if pushing).

If you believe parts to be missing please contact us.

Packaging material should be disposed of in accordance with local rules and regulations.

## CONTENTS

3 / Welcome

4 / View & Dimensions

5 / Assembly Guide

11/ Replacing or Changing Inner Panel

13 / Cleaning

If you have any questions please contact us at:

**[www.kwickscreen.com](http://www.kwickscreen.com) / [info@kwickscreen.com](mailto:info@kwickscreen.com)**

**020 845 25975**

Or visit us at our showroom and offices at Unit 3, Phoenix Trading Estate, Bilton Road, London.  
UB6 7DZ

Dear valued customer,  
Thank you for choosing to purchase from KwickScreen.

I hope that your new KwickScreen will help you make better use of your spaces and if you have chosen a printed screen, that you enjoy the benefits which the images can bring to your environment.

I am passionate about using technology to improve environments. As a designer and engineer I invented the KwickScreen to help solve space issues. For a room to be used efficiently and appropriately it needs to be flexible both spatially and visually. Every multi-use room, from a hospital ward, to a gym, a private meeting room or an airport has problems and limitations that can be solved by space saving portable screening systems.

Over the last ten years the product has developed significantly, winning a number of design and innovation awards. We now have an international supply chain with distribution in Europe, North Asia, America and the Middle East.

Our customers and those who use and interact with our screens remain our top priority and we are always striving to both improve the product and our service to you. This is our passion and that is why we assemble and quality check every product ourselves locally in England.

We hope that you have received the product in a perfect condition, but if for any reason you are unhappy or have a query please let us know and we will do our best to help. Each unit and screen has a unique code making it possible for us to trace all relevant information about the product. (The unit number Uxxx is written on the back of the unit on the silver sticker and the screen number Sxxx is printed on the inside of the front of the screen.)

KwickScreens are used in all manner of places, so if you can we would love to receive pictures and feedback from you about using your KwickScreen whether it's a query, comment or suggestion. Please find us on social media @KwickScreen or alternatively get in touch via our website [www.kwickscreen.com](http://www.kwickscreen.com).

I wish you many years of use from your KwickScreen and look forward to hearing from you.

Michael Korn  
Inventor and Co-Founder of KwickScreen



## VIEW & DIMENSIONS

Fully Assembled Weight: 16kg

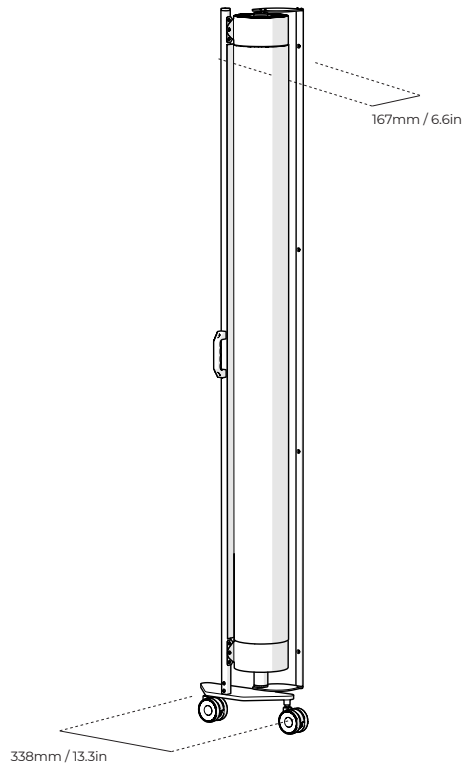
Bases Weight: 3kg

Unit Weight: 13 kg

The KwickScreen Air has two height variations:

Tall: 1905mm

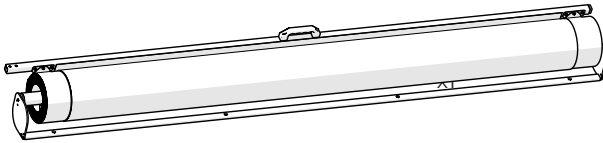
Short: 1600mm



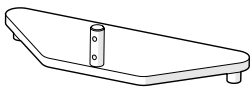
# ASSEMBLY GUIDE

Included:

Main Body with Inner Screen



Handle Base



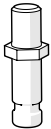
x1

Braked Castors



x2

Castor Pins



x2

M6 BTN Screws



x2

Please read the following instructions.

To begin lay down main body and front handle sideways to start working.

This is a two person job.

Please ensure all screws are tight after assembly.

If you have any questions please contact us at:

[www.kwickscreen.com](http://www.kwickscreen.com)

call us on:

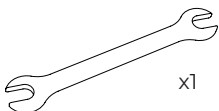
**020 845 25975**

or email us:

[info@kwickscreen.com](mailto:info@kwickscreen.com)

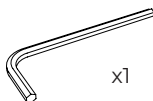
You will need to supply:

13mm Spanner



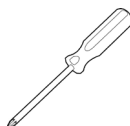
x1

5mm Allen Key



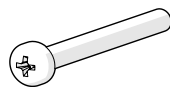
x1

Screw Driver



x1

Wall Fixings\*

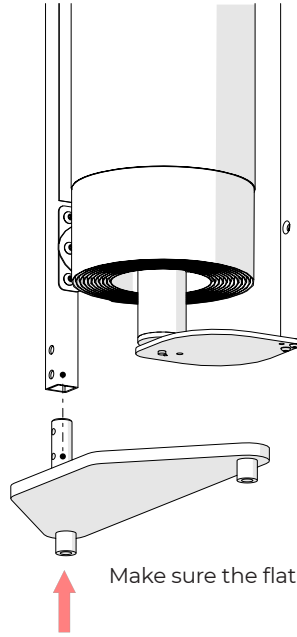
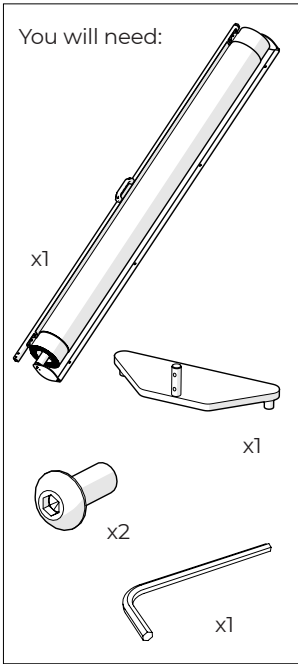


x4

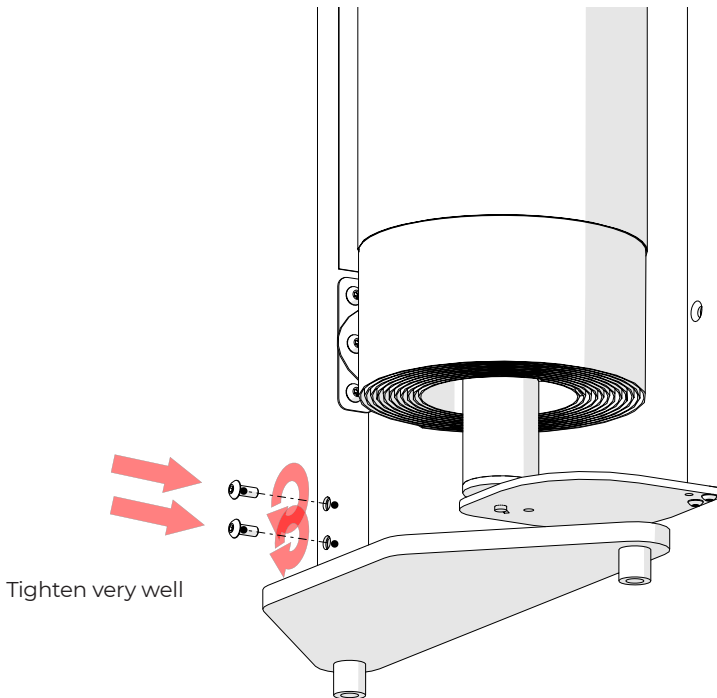
\*you may need to replace fixings depending on the wall you wish to attach to.

# MAIN BASE ASSEMBLY

Step 1

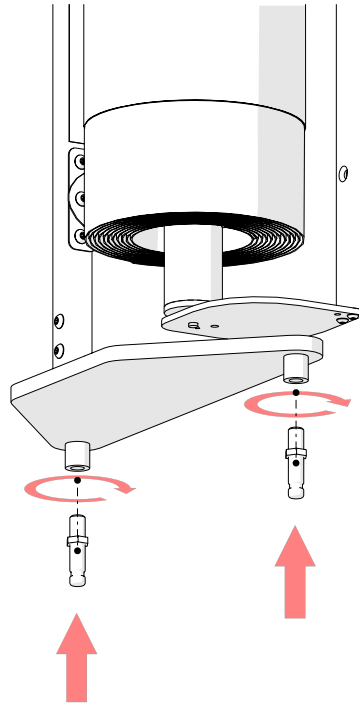
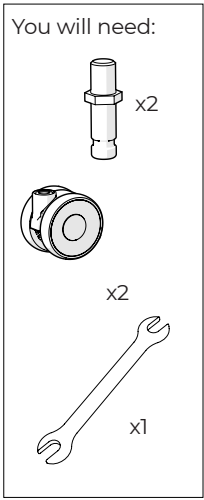


Step 2



# HANDLE BASE ASSEMBLY

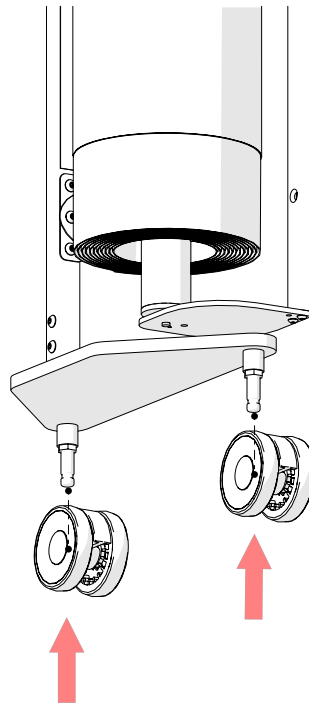
Step 1



Insert and tighten castor pins

Step 2

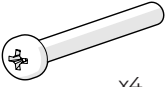
Push the wheels onto handle base.



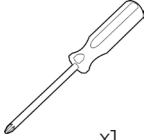
Tighten very well

# INSTALLATION

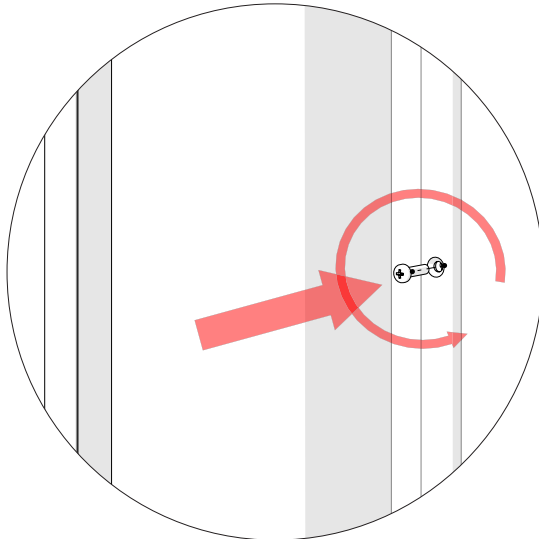
You will need:



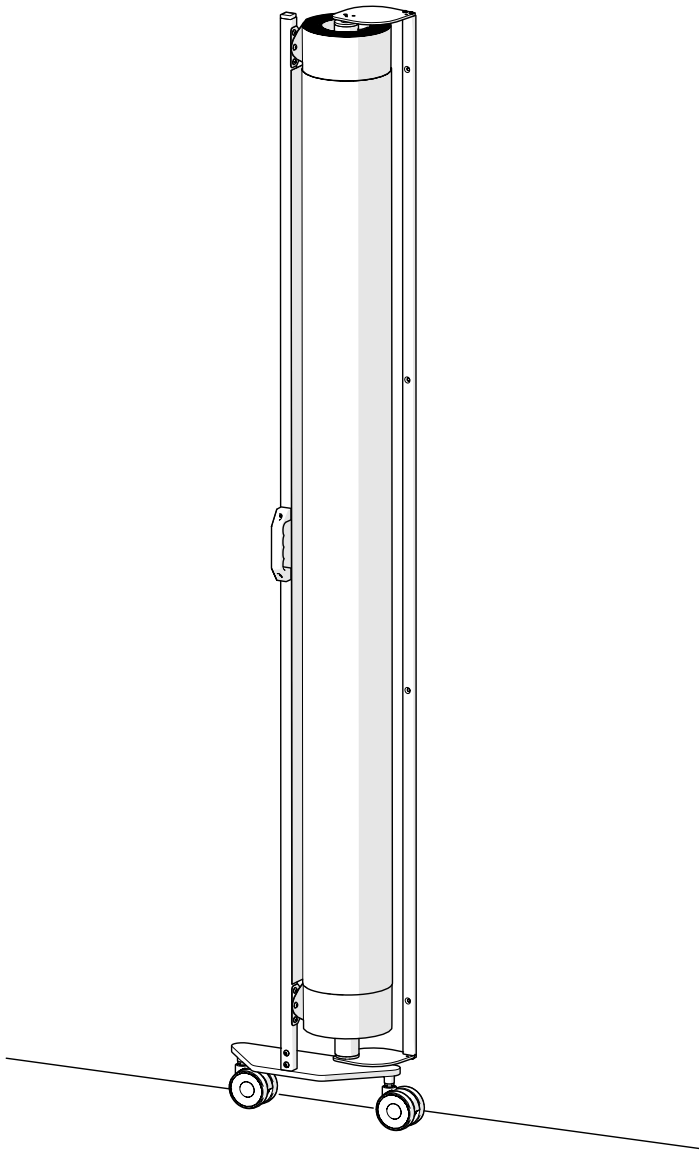
x4

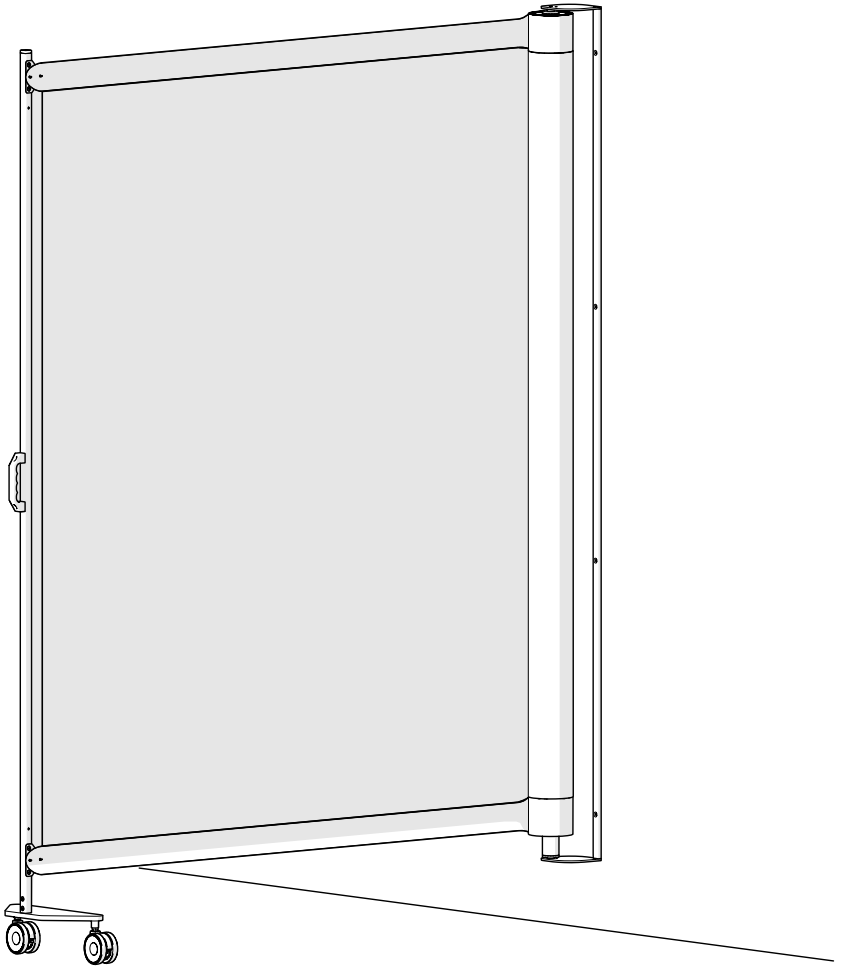


x1





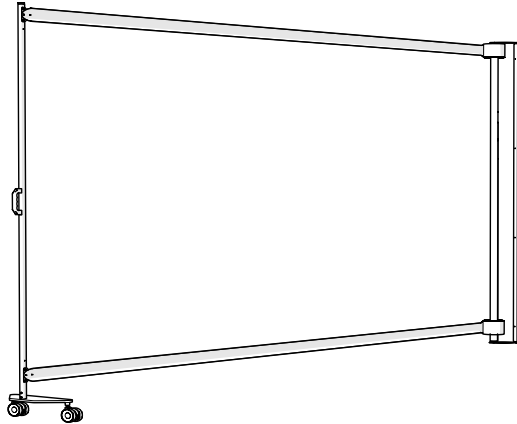




## REPLACING OR CHANGING THE INNER PANEL (2 person job)

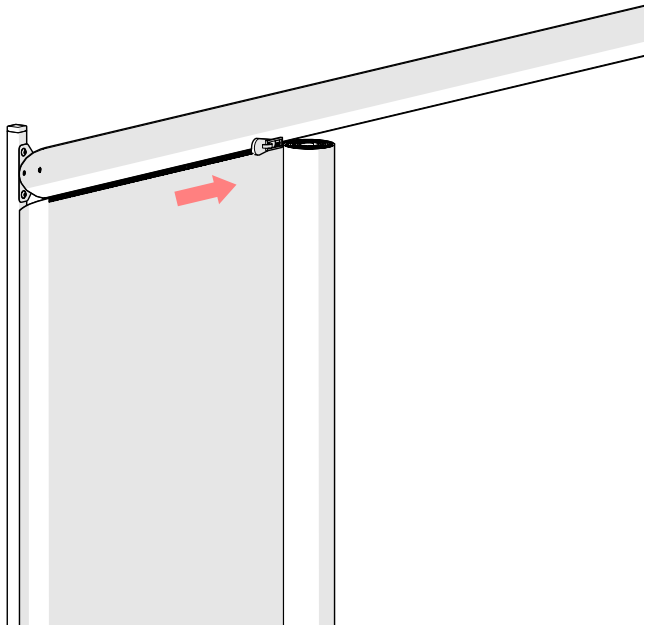
1

Extend unit fully (unit shown with inner panel removed) by pulling out the handle.



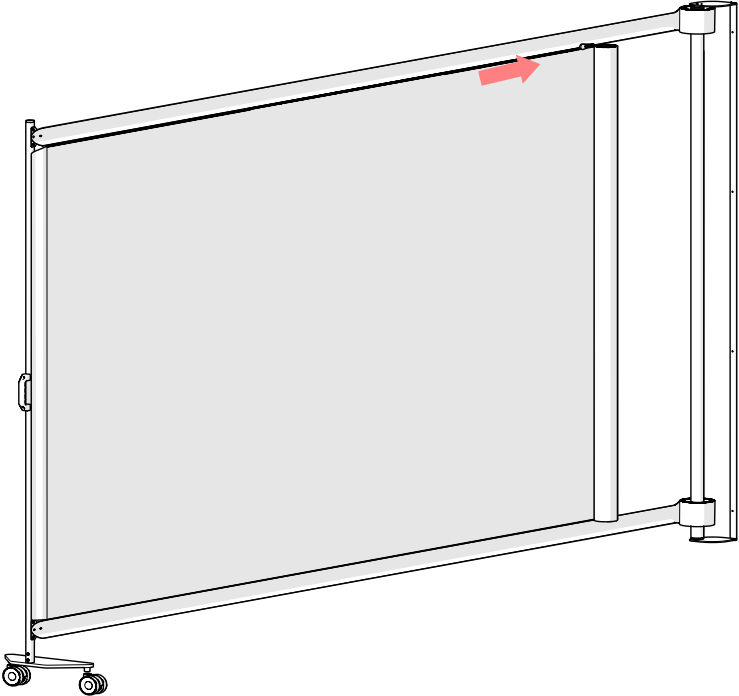
2

To insert the inner panel keep it rolled up and attach the zip in the top left corner. To get started one person should roll whilst the other starts the zip.



4

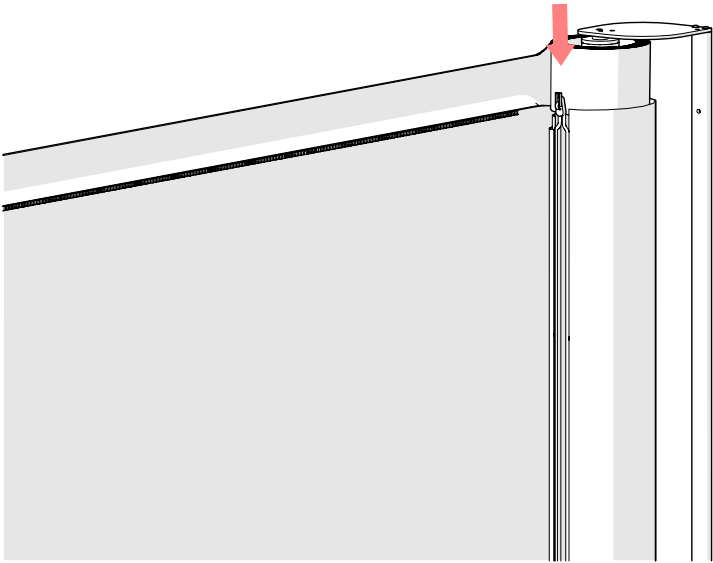
Support the rolled panel, slowly zip along the top of the panel as you unroll the panel.



5

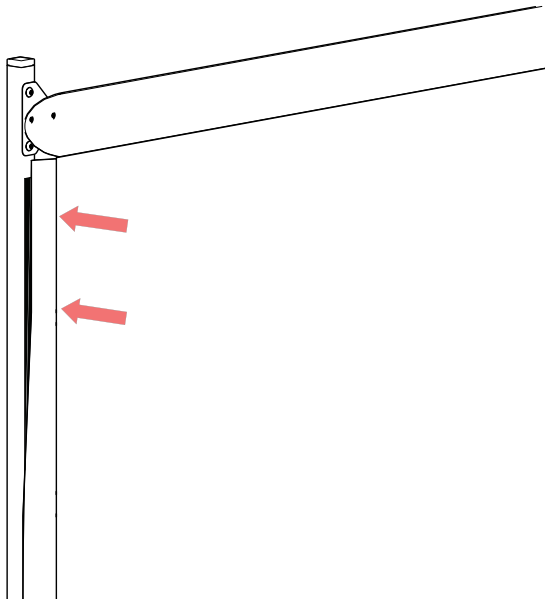
Leave 50cm unzipped and thread the panel end around the plastic core.

Carefully zip up the internal zip on the panel to secure it, and pull the top zip to the end.



6

Align the magnetic strip on the front handle



7

Close the bottom zip.

## CLEANING

KwickScreens have been designed in line with infection control performance specifications. It's smooth surfaces are easy to clean and designed to withstand regular cleaning. The body is made of anodized aluminium, other metal parts are powder coated steel. The screen panel is made with polyester film.

### NORMAL CLEANING

Surfaces can be cleaned using most healthcare cleaning solutions including quaternary, bleach solutions or sporicidal and virucidal disinfectants.

Hypochlorite may also be used on the screen material. Hypochlorite can be applied at 1000-10000 ppm or a 60% alcohol solution.

### STUBBORN STAINS

If normal cleaning does not remove all stains the following cleaning agents may be used at room temperature:

- Methyl butyl alcohol
- Naphtha VM&P
- Ethyl alcohol
- Isopropyl alcohol

Care should be taken with printed panels when using alcohol based agents.

### DEEP CLEANING

Deep cleaning is recommended every 3-4 months. To deep clean, fully extend the screen and clean inside the body.



### WHEN CLEANING THE KWICKSCREEN DO NOT USE:

- Wax polishes or solvents
- Products with an abrasive surface as steel wool
- Detergents which can form lime or synthetic detergents
- Alkalis (over pH10)
- Solvents
- Gasoline
- Greases or oils
- Abrasive cloths or kitchen scouring compounds to clean the printed screen panel
- Any sharp instruments or razor blades to scrape the surface

Do not clean in direct sunlight or in elevated temperatures.

AFTER CLEANING, LEAVE THE SCREEN EXTENDED TO DRY  
DO NOT RETRACT WHILST THE SCREEN IS WET

## OPERATION

### GENERAL INSTRUCTIONS

KwickScreens are designed for use on smooth, horizontal surfaces. Extra care should be taken when using on other surfaces.

Push and pull the front handle gently during operation. If the handle needs to be forced please contact us.

If there is resistance or you hear a crumpling sound then stop, pull out and push in again gently.

Make sure the front handle is vertical and that its two wheels are all in contact with the floor.

Do not run when using a KwickScreen.

## DAMAGE PROCEDURE

If you do experience any problems or damage with your screen, please email us (with images if applicable) to [info@kwickscreen.com](mailto:info@kwickscreen.com).

# KWICKSCREEN

If you have any questions please contact us at:  
[www.kwickscreen.com](http://www.kwickscreen.com) / [info@kwickscreen.com](mailto:info@kwickscreen.com)

You can call us on: 020 845 25975

Or visit us at:  
Unit 3, Phoenix Trading Estate, Bilton Road,  
London. UB6 7DZ